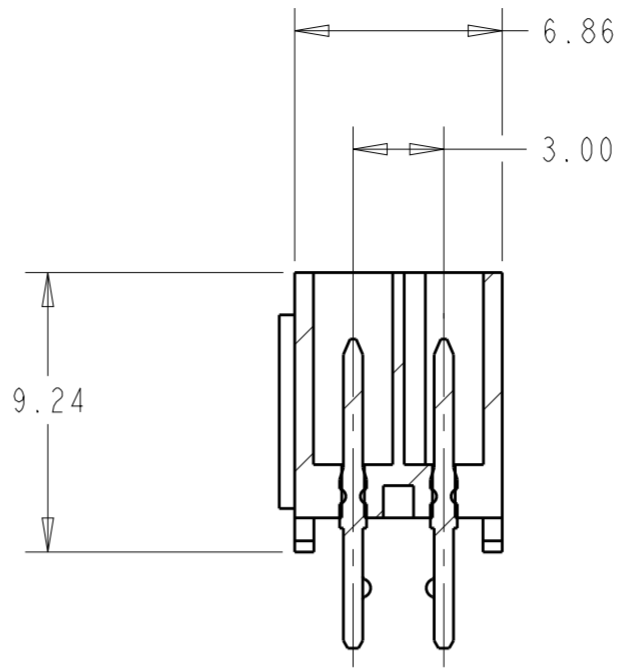
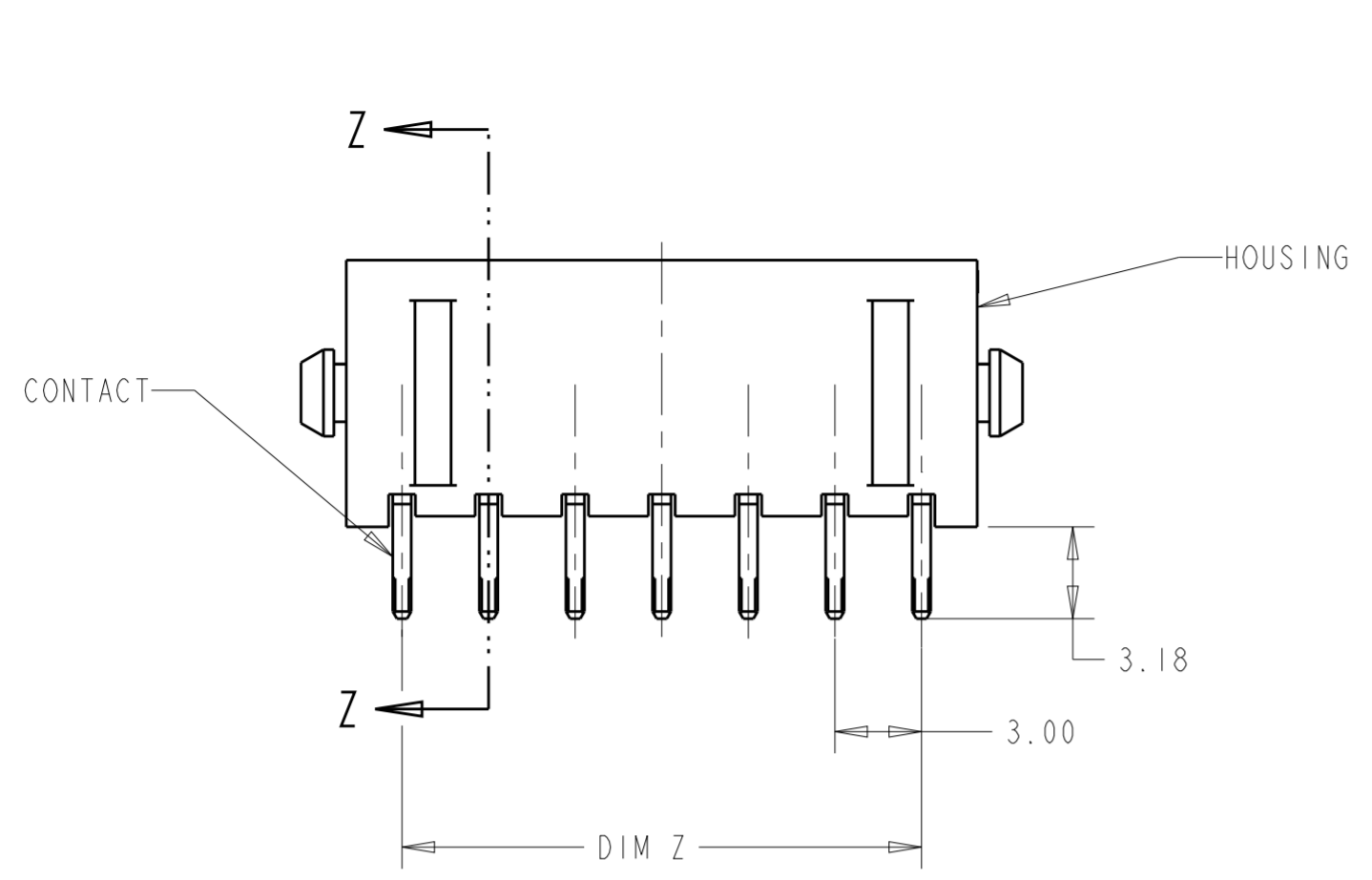


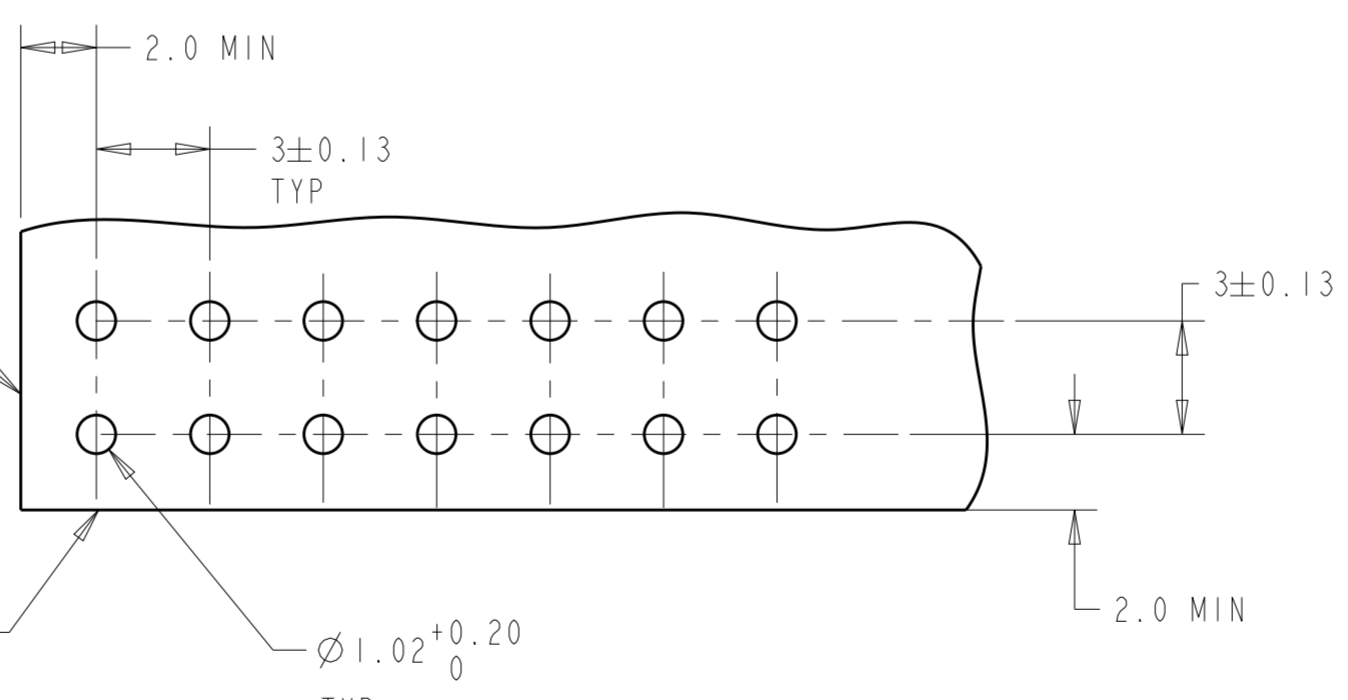
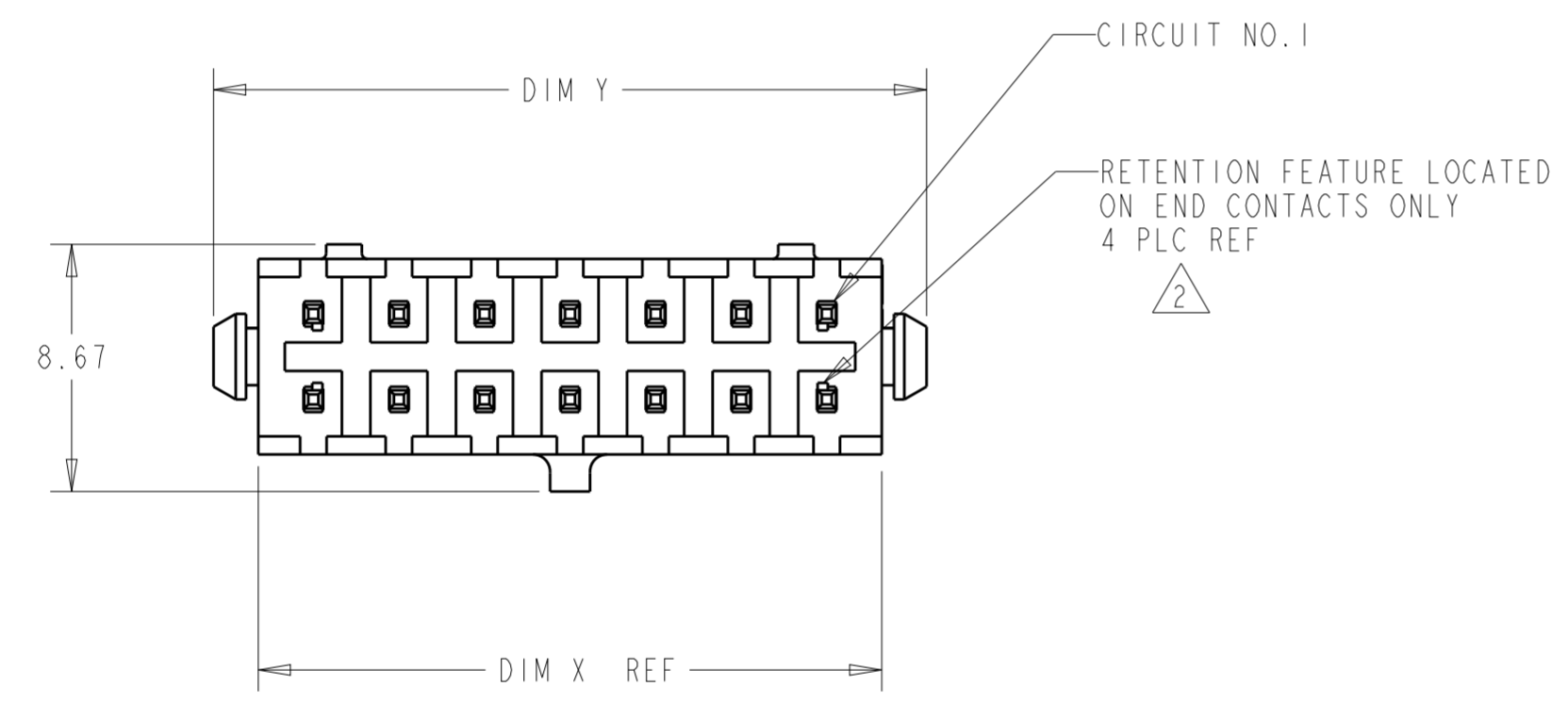
THIS DRAWING IS UNPUBLISHED. RELEASED FOR PUBLICATION  
 © COPYRIGHT 20 BY - ALL RIGHTS RESERVED.

LOC	DIST	REVISIONS					
CM	00	P	LTR	DESCRIPTION	DATE	DWN	APVD
		F		REVISED PER ECO-15-003291	23APR2015	SC	DZ

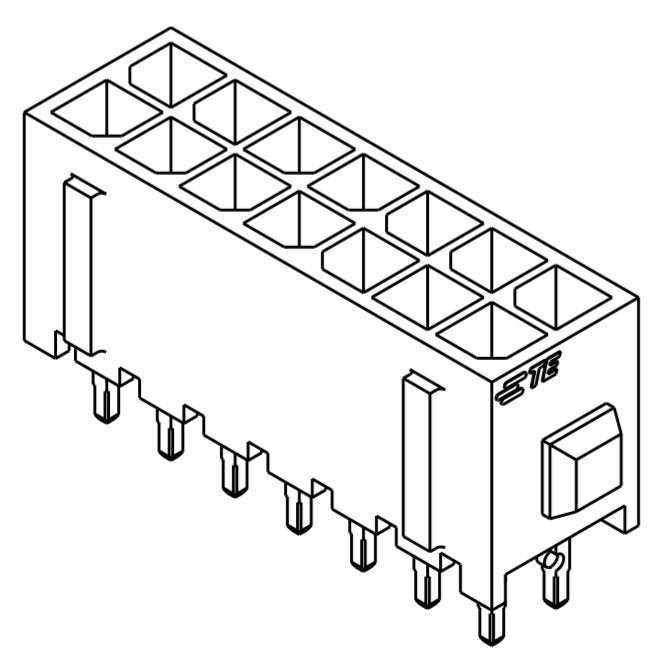


SECTION Z-Z

- 1 MATERIAL: HOUSING - NYLON, UL 94V-0, BLACK.  
CONTACT - BRASS.  
0.00254 MINIMUM TIN LEAD OVER  
0.00127 MINIMUM NICKEL ALL OVER.
- 2 MAXIMUM INSERTION 20 LBS.
- 3 RECOMMENDED BOARD THICKNESS 1.57.
- 4 MATERIAL: HOUSING - NYLON, UL 94V-0, BLACK.  
CONTACT - BRASS.  
0.00254 MINIMUM TIN OVER  
0.00127 MINIMUM NICKEL ALL OVER.



TYP RECOMMENDED MOUNTING HOLE PATTERN SCALE 5:1



3 DIMENSIONAL MODEL

FINISH	DIM Y	DIM Z	DIM X	NO. OF POSN.	ASSEMBLY
4	40.00	33.00	36.86	24	5-794630-4
	37.00	30.00	33.86	22	5-794630-2
	34.00	27.00	30.86	20	5-794630-0
	31.00	24.00	27.86	18	4-794630-8
	28.00	21.00	24.86	16	4-794630-6
	25.00	18.00	21.86	14	4-794630-4
	22.00	15.00	18.86	12	4-794630-2
	19.00	12.00	15.86	10	4-794630-0
	16.00	9.00	12.86	8	3-794630-8
	13.00	6.00	9.86	6	3-794630-6
10.00	3.00	6.86	4	3-794630-4	
7.00	-	3.86	2	3-794630-2	
1	40.00	33.00	36.86	24	2-794630-4
	37.00	30.00	33.86	22	2-794630-2
	34.00	27.00	30.86	20	2-794630-0
	31.00	24.00	27.86	18	1-794630-8
	28.00	21.00	24.86	16	1-794630-6
	25.00	18.00	21.86	14	1-794630-4
	22.00	15.00	18.86	12	1-794630-2
	19.00	12.00	15.86	10	1-794630-0
	16.00	9.00	12.86	8	794630-8
	13.00	6.00	9.86	6	794630-6
10.00	3.00	6.86	4	794630-4	
7.00	-	3.86	2	794630-2	

THIS DRAWING IS A CONTROLLED DOCUMENT.

DWN: K. WHITAKER 20APR2005  
 CHK: C. JONES 20APR2005  
 APVD: C. JONES 20APR2005

TE Connectivity

NAME: VERTICAL HEADER ASSEMBLY, THRU HOLE, TIN, DUAL ROW, MICRO MATE-N-LOK(TM)

SIZE: A2 CAGE CODE: 00779 DRAWING NO: 794630 RESTRICTED TO: -

MATERIAL: SEE TABLE

SCALE: 4:1 SHEET 1 OF 1 REV F